



BZ-2RQ1



Actual product appearance may vary.

BZ Series Standard Basic Switch, Single Pole Double Throw Circuitry, 15 A at 250 Vac, Overtravel Plunger Actuator, 2,5 N - 3,61 N [9 oz - 13 oz] Operating Force, Silver Contacts, Solder Termination, CE, CSA, DEMKO,

Features

- Accepted world-wide standard "Large Basic" switch
- Low operating force and differential travel
- Long mechanical life up to 20,000,000 cycles at 95% survival
- Elongated mounting hole for easier, more accurate mounting
- Current rating ranges from 15 A to 25 A
- Choice of actuation, termination and operating characteristics

Potential Applications

- Irrigation systems
- Semi-trailer trucks
- Timing devices
- Office equipment
- Test instruments
- Medical/dental equipment
- HVAC equipment
- Manually operated devices
- Valves

Description

MICRO SWITCH™ BZ/BA Series standard basic switches are used for simple or precision on/off application needs.

Product Specifications

Switch Type	MICRO SWITCH™ Standard 25,4 mm H x 17,8 mm W x 50,8 mm L [1.0 in H x 0.7 in W x 2.0 in L]
Sealed	No
Ampere Rating	15 A
Circuitry	Single Pole Double Throw (SPDT)
Actuator	Overtravel Plunger
Termination	Solder
Operating Temperature Range	-55 °C to 85 °C [-67 °F to 185 °F]

Voltage	250 Vac
Approvals	CE,CSA,UL
Contact Type	Silver
Operating Force (O.F.)	2,5 N - 3,61 N [9.0 oz - 13.0 oz]
Release Force (R.F.)	1,11 N [4.0 oz] min.
Pretravel (P.T.)	0,38 mm [0.015 in] max.
Overtravel (O.T.)	5,56 mm [0.219 in] min.
Differential Travel (D.T.)	0,01 mm - 0,05 mm [0.0004 in - 0.0020 in]
Operating Position (O.P.)	21,82 mm \pm 0,76 mm [0.859 in \pm 0.030 in]
Material	Plastic
Housing Material	General Purpose Phenolic
High Temperature	204 °C [400 °F]
CE mark	61058-1
UL File #	E12252
CSA File #	LR41370
Agency Approvals and Standards	1054
Mounting Screw Size	3,53 mm [0.139 in]
Mounting Centers	25,4 mm [1 in]
Maximum Tightening Torque	0,33 N m [3.0 in lb]
Weight	39 g [0.086 lb]
Package Height	24,1 mm [0.95 in]
Package Width	17,5 mm [0.69 in]
Package Length	49,3 mm [1.94 in]
Recommended For	BZ-2RQ-A2 type applications with panel mount
Availability	Global
UNSPSC Code	30211905
UNSPSC Commodity	30211905 Snap switches
Series Name	BZ/BA/WA/YZ



MICRO SWITCH

FREEPORT, ILLINOIS, U.S.A.
A DIVISION OF HONEYWELL

FED. MFG. CODE 91929

SWITCH - BASIC

CATALOG LISTING

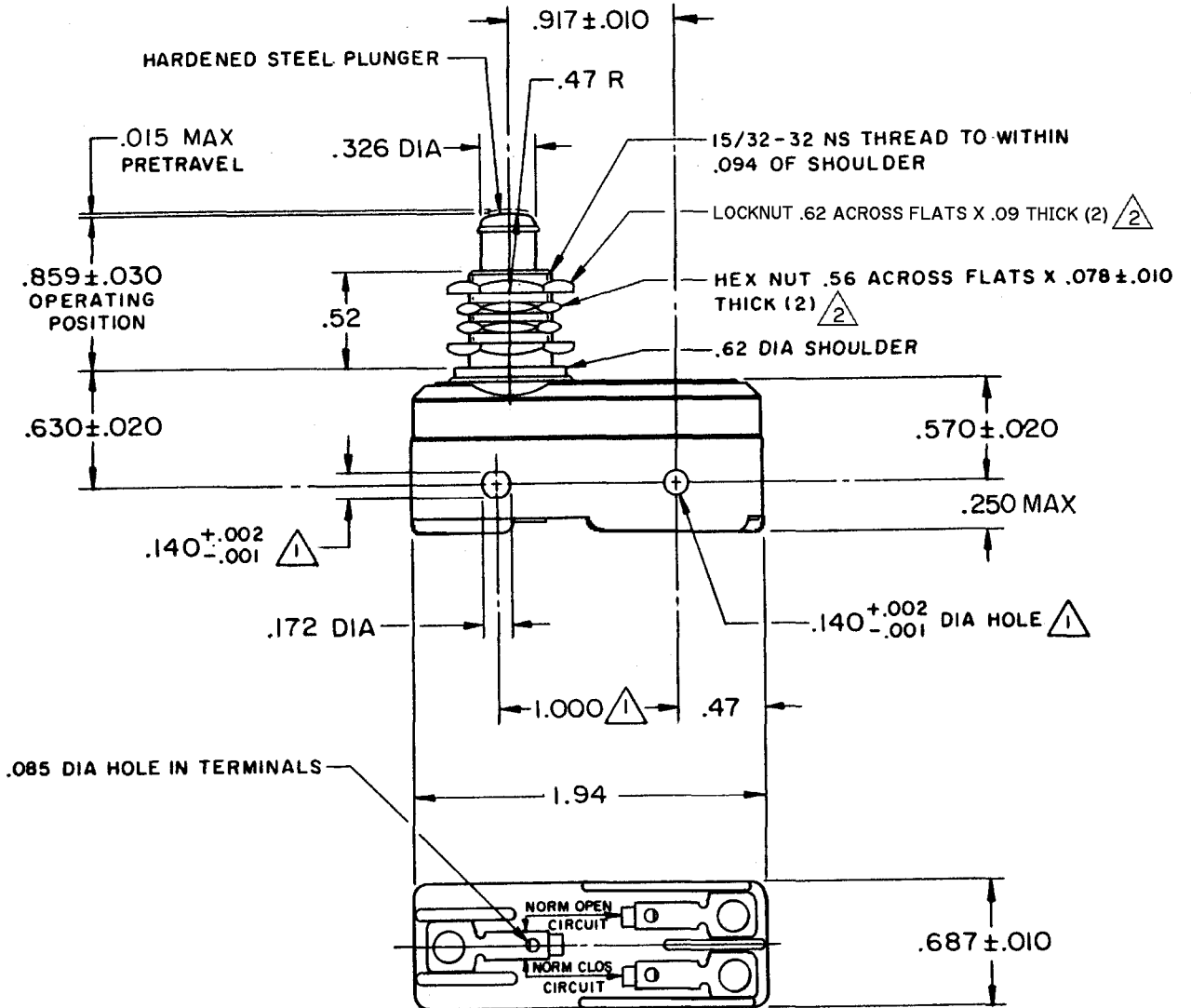
BZ-2RQ1

DRAWING NUMBER
BZ-2RQ1
PAGE 1 OF 1

ISSUE
M
16

REPLACES
RELEASE NO.

REVISIONS	
A	CO17410 G C H 9 SEP 63
B	CO46304 R J H 21 NOV 79
C	CO 58037 SMA 1 OCT 85
D	CO 78874 DLT 18 NOV 94
E	CO-82133 CSL 29 JUL 96
F	CO93346 DLT 10 SEP 98
G	CO-94212-J J J A 5 OCT 99



- NOTES
- 1 MOUNTING HOLES WILL ACCEPT PINS OR SCREWS OF .139 MAX DIA ON 1.000 ± .002 CENTERS
 - 2 HARDWARE FURNISHED UNASSEMBLED

THIS DRAWING COVERS A PROPRIETARY ITEM AND IS THE PROPERTY OF MICRO SWITCH, A DIVISION OF MINNEAPOLIS-HONEYWELL REGULATOR CO. THIS DRAWING IS NOT TO BE COPIED OR USED WITHOUT THE APPROVAL OF MICRO SWITCH.

CHARACTERISTICS	ELECTRICAL DATA	SCALE FULL
OPERATING FORCE ----- 9-13 OZ	CONTACT ARRANGEMENT S P D T	DO NOT SCALE PRINT
RELEASE FORCE ----- 4 OZ MIN	UNDERWRITERS' LAB. INC. LISTED RATING -L96- 15 A-125, 250, OR 480 VAC 1/2 A-125 VDC; 1/4 A-250 VDC 1/8 HP-125 VAC; 1/4 HP-250 VAC	UNLESS OTHERWISE NOTED DIMENSIONS ARE IN INCHES
DIFFERENTIAL TRAVEL ---- .0004 - .0020	-L288- -L299- -L306-	TOLERANCES ARE: ONE PLACE (.0) ± .030 TWO PLACE (.00) ± .015 THREE PLACE (.000) ± .005 ANGLES ±
OVERTRAVEL ----- .219 MIN	CE D SR 16A 250V ~ T85 5E4	WEIGHT .081 LB

FORMTEK
FO-80378

DRAWN
G C H
9 SEP 63

CHECK
30 SEPT 63

DAV